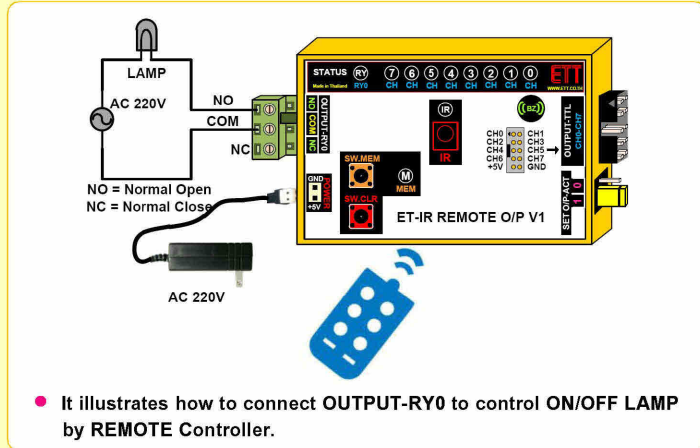
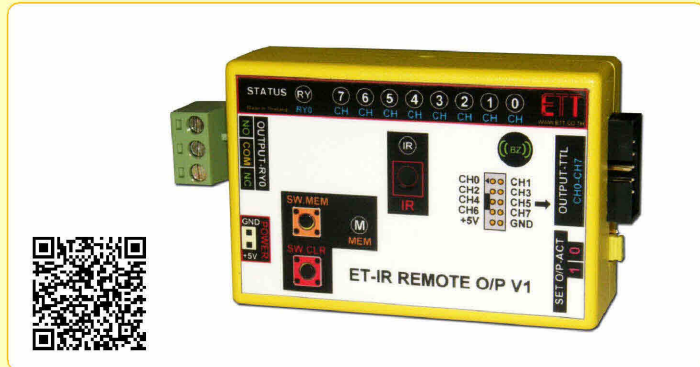


ET-IR REMOTE O/P V1
(P-ET-A-00519)

ET-IR REMOTE I/O V1 is the complete board that can receive signal from any general IR REMOTE to control ON/OFF devices. There is 1 of 6A RELAY inside with connector; moreover, there is 8-CH PORT OUTPUT TTL that can be separately connected with external devices.



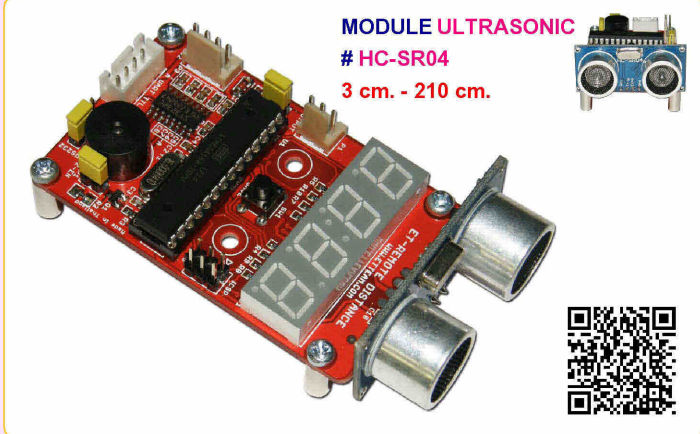
For type of REMOTE IR, it can be general REMOTE Control of TV; it has to setup the Remote(LEARNING) with the Box ET-IR REMOTE O/P V1 first to save the setup buttons for CONTROL. These REMOTE Controls are tested and warranted they are available; NEC, SONY, RC5(PHILIP), RC6, DISH, SHARP, PANASONIC, JVC, SANYO and etc.

SPECIFICATIONS of ET-IR REMOTE O/P V1

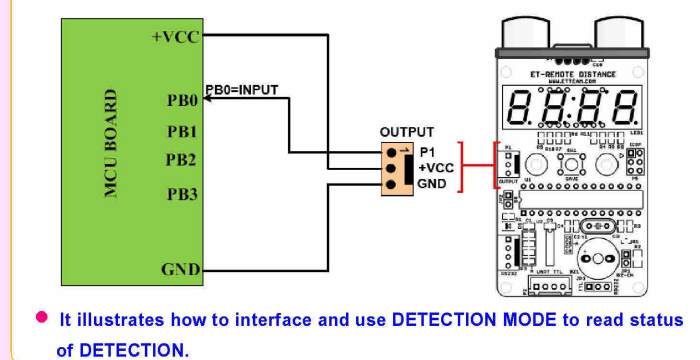
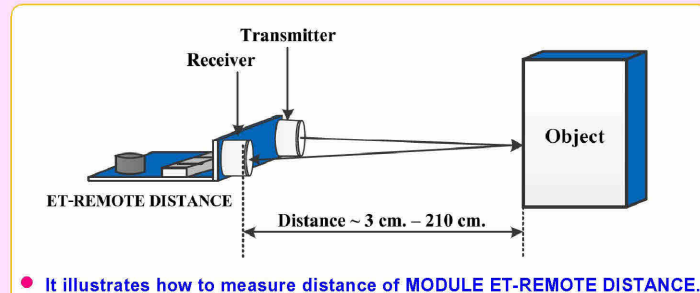
- Have 9-CH OUTPUT; 8-CH OUTPUT TTL via Connector 10PIN HEADER ETT and 1-CH 6A RELAY via Connector 3PIN PLUG-IN TERMINAL BLOCK
- Setup all 8-CH OUTPUT-TTL to operate at LOGIC 1 or LOGIC 0
- Set OUTPUT TTL CH0-CH7 to operate as TOGGLE or TRIG when pressed any button on the REMOTE Control each time
- Have LED on the box to show operational status of OUTPUT TTL CH0-CH7 and RY
- Have BUZZER to create Beep sound for operations.
- Can use different REMOTE Control to setup button for controlling operation of each CHANNEL OUTPUT
- For OUTPUT TTL 10PIN ETT, it can be connected with ETT DRIVE Boards such as ET-OPTO AC-OUT4 PLUS, ET-OPTO DC-IN4, ET-REL8, ET-SSRAC and etc.
- Use 5VDC Power Supply via Connector 2PIN WAFER 2.54 mm. (it is compatible with ETT ADAPTER "ET-SWITCHING ADAPTER 5V 2A TYPE H (A-AP-A-00094)")
- Box Size: 7.5 x 2.5 x 5 cm.
- Package of **ET-IR REMOTE O/P V1** includes
 1. Board with Box
 2. CD-ROM Manual



ET-REMOTE DISTANCE
(P-ET-A-00518)



ET-REMOTE DISTANCE is the MODULE Board to measure distance by ULTRASONIC Wave "HC-SR04". It sends out Signal ULTRASONIC Wave and this ULTRASONIC Wave is reflected and sent back to CONTROLLER after touched any object; this Controller reads and converts the received signal into the value of distance (centimeter); and finally, it shows the result through LED-7 SEGMENT and PORT RS232.



- Distance measurement is in the range of 3 cm. - 210 cm. and the range of inaccuracy in the normal circumstance is +0.5 - 1.0 cm.)
- Show Distance Measurement by 7-SEGMENT red LED 4-Digit 0.4" in height; 3-digit for integer and 1-digit for decimal system in the measurement unit of centimeter
- Enable/Disable display of 7-SEGMENT LED; have EEPROM Memory insides to save and remember the status ON/OFF and Setup Distance Detection
- Have 2 Operational Modes
 1. Distance Detection Mode by the Setup value. It gives OUTPUT as LOGIC TTL when it reached the Setup value and BUZZER generates sound all the time when it almost approaches the Setup value.
 2. Read distance that is measured through PORT RS232 and PORT RS232 as TTL by ASCII COMMAND. It can read the value as ASCII CODE and HEX CODE.
- Setup 2 BAUD RATE by JUMPER; 9600 or 57600
- Use 5VDC Power Supply
- Board Size: 8.5 x 4.4 cm.
- Package of **ET-REMOTE DISTANCE** includes
 1. Board
 2. CD-ROM Manual

