



RASPBERRY PI2-MOD B + SD8G

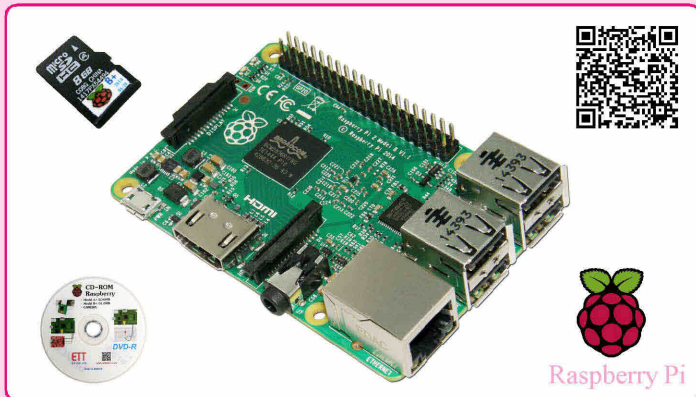
(C-YA-A-00202) ***

This is the newest **RASPBERRY PI2-MOD B** with SD CARD 8G that has already been installed the Operating System of OS.

This RASPBERRY PI2 is 32BIT mini Computer Board with 1GB Memory Card that can be connected with screen of computer or TV and KET BOARD, MOUSE. It can run as a computer device and it can access WEB BROWSER to play file or multimedia. It can run by the Operating Systems such as LINUX and WINDOWS 10 in the nearer future.

This RASPBERRY PI2-MOD B is the newest Board RASPBERRY PI2 that is developed and changed new Chip to ARMV7 QUAD-CORE 900 MHz, its speed is higher; moreover, it expands the memory from 512M to 1GB that is enough to install the Operating System of WINDOWS 10 in the nearer future.

This Board RASPBERRY PI2-MOD B has the same structure and the board size as RASPBERRY-MOD B+, so it can use the gadgets of the previous model version, including case.



- Use CPU BROADCOM BCM2836 ARM7 4 CORE 900 MHz that is x6 speed when compared with the previous model version
- RAM 1GB LPDDR2 SDRAM
- GPU VIDEO IV 2 CORE
- OPERATING SYSTEM BOOTS FROM MICRO SD CARD
- DIMENSION 85 x 56 x 17 mm.
- POWER SUPPLY from Connector MICRO USB SOCKET 5V/2A

CONNECTOR

- GPIO CONNECTOR** : 40 PIN HEADER 2.54mm. MALE (GPIO,UART,I2C and etc.)
- USB** : 4 PORT USB 2.0 for KEY BOARD, MOUSE
- ETHERNET** : 10/100 BASE RJ45
- VIDEO OUTPUT** : HDMI and COMPOSITE VIDEO (PAL/NTSC) 3.5 mm. 4-POLE JACK
- AUDIO OUTPUT** : HDMI and 3.5 mm. 4-POLE JACK
- CAMERA CONNECTOR** : 15 PIN MIPI CAMERA SERIAL INTERFACE (CSI-2)
- MEMORY CARD SLOT** : MICRO SD

When connecting screen via Connector HDMI, it requires

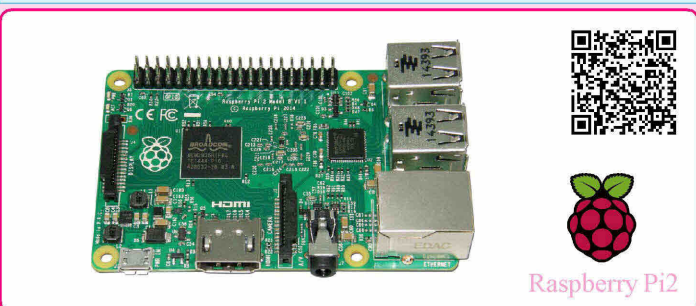
- Screen receives signal via Connector HDMI
- CABLE HDMI (CABLE HDMI/HDMI 1.8)
- KEY BOARD USB
- MOUSE USB
- POWER SUPPLY 5V with Connector MICRO USB (ET-SWITCHING ADAPTER 5V 2A TYPE U)

When connecting via RJ45 LAN, it requires

- COMPUTER
- ROUTER (DHCP SERVER)
- CABLE LAN DIRECT 2M
- POWER SUPPLY 5V with Connector MICRO USB (ET-SWITCHING ADAPTER 5V 2A TYPE U)

RASPBERRY PI2-MOD B

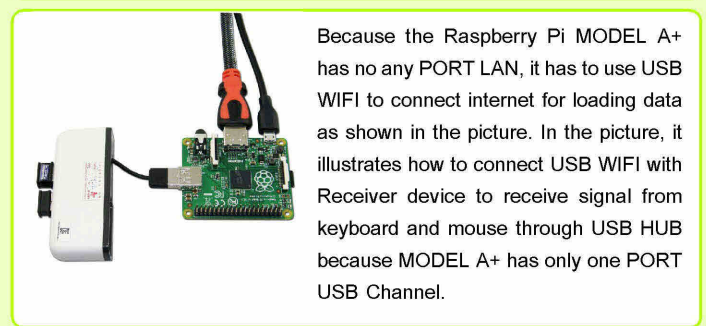
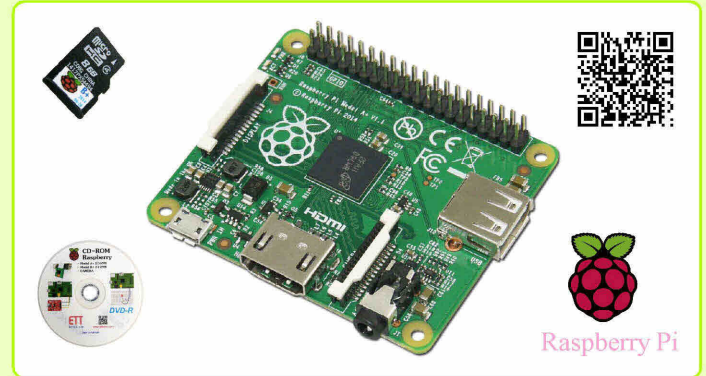
(C-YA-A-00201) ***



RASPBERRY-MOD A+ -256M + SD 8G

(C-YA-A-00199) ***

This Raspberry Pi MODEL A+ 256MB with 8GB SD Card Memory is made in UK; it is 32IT minicomputer with 256 MB memory and user can install the operating systems such as LINUX, FEDORA, ARCH LINUX, RISC OS.



Because the Raspberry Pi MODEL A+ has no any PORT LAN, it has to use USB WIFI to connect internet for loading data as shown in the picture. In the picture, it illustrates how to connect USB WIFI with Receiver device to receive signal from keyboard and mouse through USB HUB because MODEL A+ has only one PORT USB Channel.

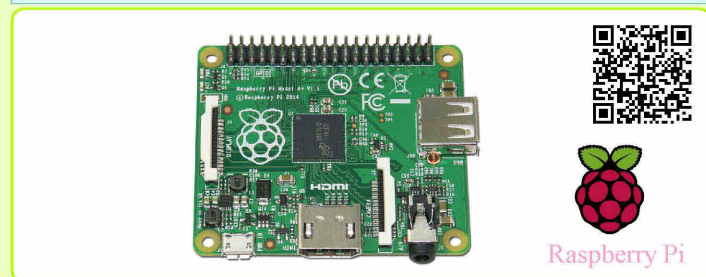
- Be cheaper and smaller than MODEL B+; Board size is 65.0 x 56.0 mm.
- Use Chip SoC BROADCOM BCM2835 that includes CPU, GPU and SD RAM in the same DIP TYPE.
- Use CPU 700 MHz ARM 11 ARM1176JZF-S CORE
- Use GPU BROADCOM VIDEO CORE IV, OPEN GL ES 2.0 OPEN VG 1080 P30 H 264
- Use MEMORY 256 MB SD RAM
- Use OPERATING SYSTEM BOOTS FROM MICRO SD CARD
- Use POWER SUPPLY FROM MICRO USB SOCKET 5V (1-2A)

CONNECTORS

- GPIO CONNECTOR** : 40PIN like MODEL B+ (GPIO cannot receive 5V, it is only compatible with 3.3V).
- USB** : 1 PORT USB 2.0
- VIDEO OUTPUT** : HDMI CONNECTOR and JACK 3.5 mm.
- AUDIO OUT** : JACK 3.5mm. and HDMI CONNECTOR
- CAMERA CONNECTOR** : 15-PIN MIPI CAMERA
- MEMORY CARD SLOT** : MICRO SD

RASPBERRY-MOD A+ -256M

(C-YA-A-00198) ***



*** This Board is imported from foreign country, the circuit of the device is SMD that cannot be fixed or repaired. ETT checks all parts and circuits of board in order to make sure that it can work well before selling.

*** There is no any warranty for this product. If customer cannot accept the CONDITION, please DON'T UNSEAL and return the product to ETT in order to get money back.***